



GRAHAM CONSULTANTS GROUP LIMITED
 Consulting Engineers
 CIVIL & STRUCTURAL
 P.O. Box 9005 Ph. 84981
 HAMILTON N.Z.

NOTES:
 All dimensions and non structural details shall be confirmed on site.
 The minimum depth of piling is subject to confirmation by the Engineer on site.

SCALES:
 1:20 1:100

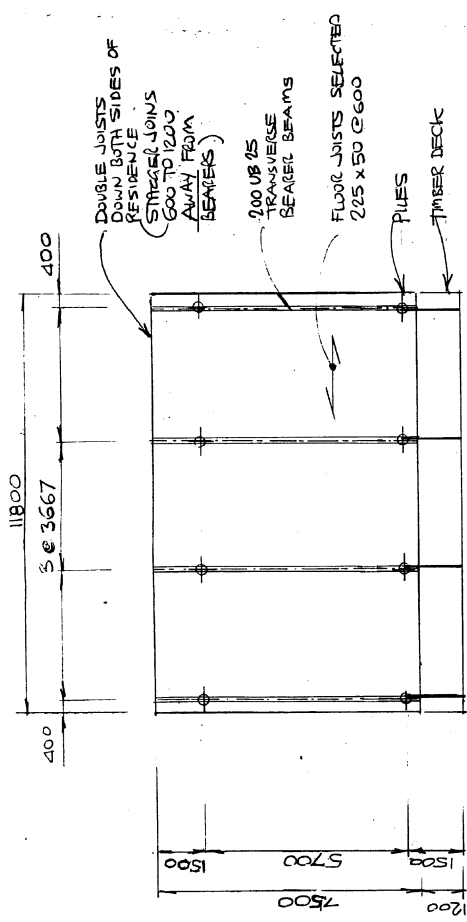
Issue Date Approved
 A 14/1989 01/24

FOUNDATION PILING FOR A RESIDENCE

LOT 53,
 MILLAR PLACE,
 HAMILTON.

BUILDING CONTRACTOR
 FOUNTAIN CITY BUILDERS LTD
 RECEIVED 20 AUG 1989
 TRUSTEES DIV.

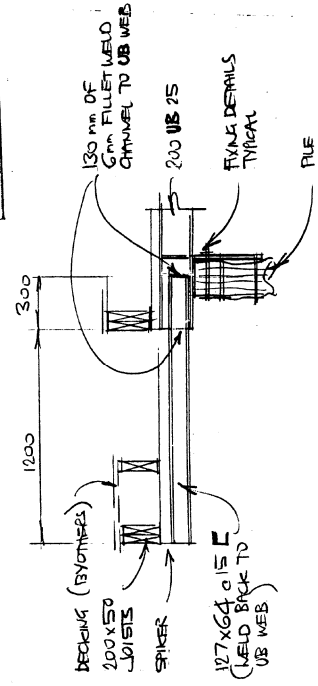
PROJECT NUMBER
 GCL 2554
 SHEET 01 ISSUE A
 SET OF 3 SHEETS



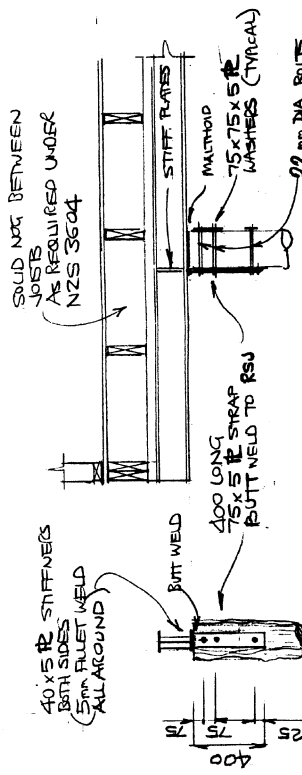
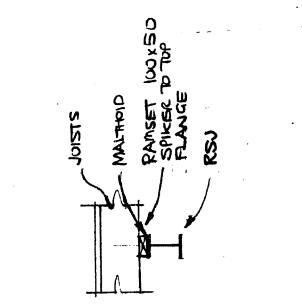
FOR DEPTH OF PILING REFER DESIGN REPORT.
 8 PILES (175 mm MIN. END DIA.)

PILING PLAN

Street Millar
 St. No. 22178
 D.P.S. 53
 Lot: 98379
 B.P. No.:
 P. & DP. No.:
 HCC BUILDING RECORDS INDEX



DETAIL AT DECK CANTILEVERS



TYPICAL DETAIL

MICROBOX